

*STANDARD SPECIFICATION*

CHUANHU

## 气动粉体蝶阀

**Pneumatic powder Butterfly valve**



上海川沪阀门有限公司

ShangHai Chuanhu Valve CO.,LTD

## 概述

BLF 系列粉体蝶阀是川沪阀门开发的专用粉体/颗粒物料的工业产品。阀体采用轻巧的高压铸铝合金制成，蝶板是内衬有钢芯的耐磨高分子材料，与耐磨橡胶密封圈形成的软性密封使其非常适合各种粉体/颗粒物料的应用场合，特别是对于磨损性强的物料。在需要重力落料或气力输送的粉体/颗粒物料处理系统中，BLF 蝴蝶阀常常被安装在料斗、筒仓、螺旋输送机出口以及气送管路上。

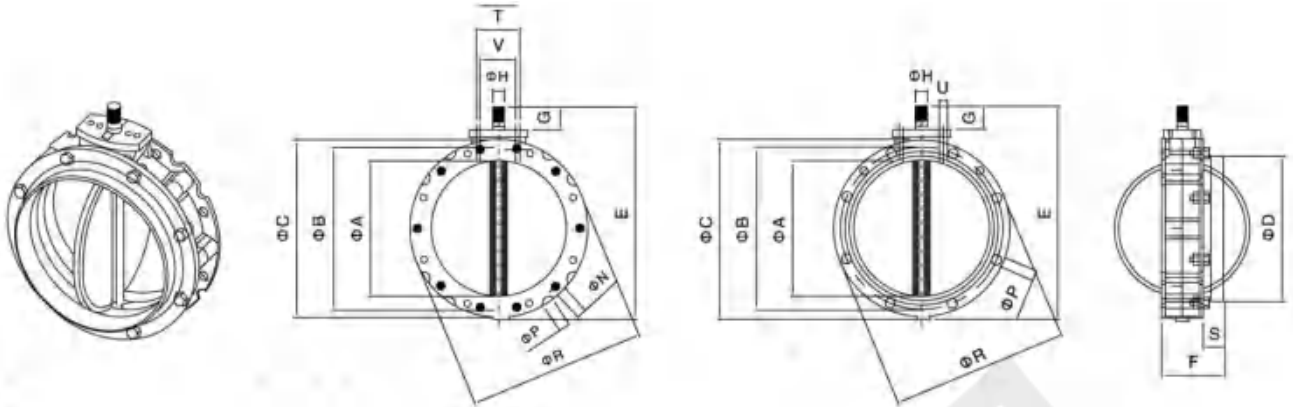
BLF 双法兰蝴蝶阀带有 2 个相同的法兰面，而 BLF 单法兰蝴蝶阀部配有一个伸出的连接环用以安装软套管。根据应用要求，可以单独选配驱动手柄或者气缸驱动套件。工业化的设计加上特殊复合材料的使用，使 BLF 蝴蝶阀具有结构紧凑轻巧、蝶板耐磨、密封寿命长、安装维护简便等特点，是一种成本一效益极高的粉体阀。

## GENERAL

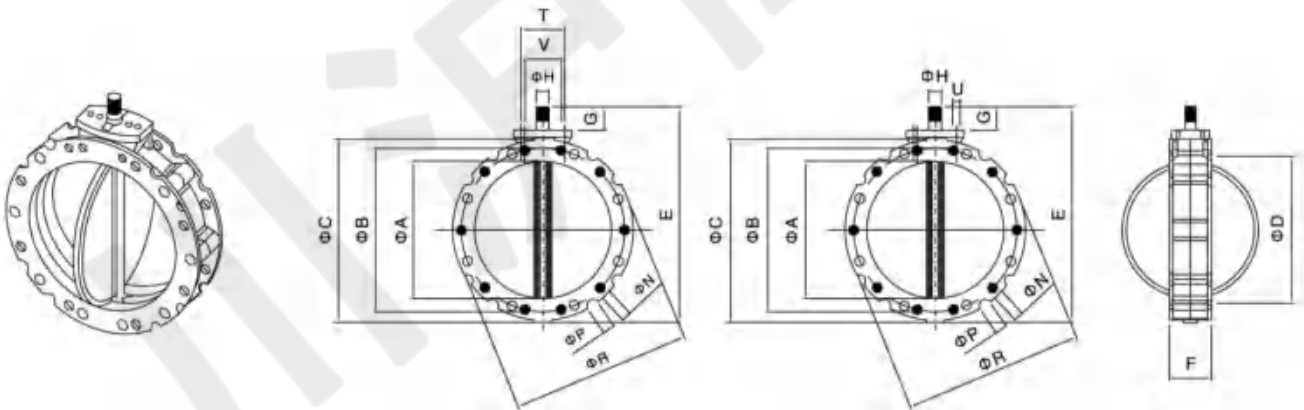
BLF series butterfly valve is CHUANHU automatic control valves developed specifically for powder/granule material for industrial products. The valve body adopts lightweight high-pressure cast aluminum alloy, the butterfly plate is lined with cored steel wear-resistant polymeric material, and the rubber sealing ring formed of soft sealing make it very suitable for all kinds of powder / particle materials applications, especially for resistance to abrasion of materials. In need of gravity blanking or pneumatic conveying of powder / particle material handling system, BLF butterfly valves are mounted on the hopper, silo, screw conveyor outlet and a pneumatic duct. BLF double flanged butterfly valve with the same 2 flange, and BLF single flange butterfly valve equipped with an extended ring for installation of flexible sleeve. According to the application requirements, can be separately selected drive handle or a cylinder drive kit. Industrial design and special composite materials using BLF, the butterfly valve has the advantages of compact structure, lightweight wear-resistant sealing butterfly plate, long service life, easy installation and maintenance and other characteristics, is a cost-effective high powder valve

## 标准规格 STANDARD SPECIFICATION

公称通径 Body size	DN50~4000
公称压力 Body ratings	PN 0.25, 0.6 MPa
尺寸标准 Dimension standard	国标 GB
阀体材质 Body material	铝合金 Aluminium alloy
阀座材质 Seat material	本体密封 W
作用方式 Mode of action	双作用、单作用（弹簧复位） Double-acting/Single-acting type(spring reposition)
控制方式 Control	开关型、调节型 Switch type, Adjust type
附件选择 Selection of Accessories	电磁阀、定位器、限位开关、气源三联件、手动机构 Solenoid valve, Locator, Limit switch, F.R.L. COMBINATION UNIT, Manual Device

**主要外形及连接法兰尺寸 MAIN OUTLINE AND CONNECTING FLANGE SIZE**
**● BL1F 单法兰粉体蝶阀**


型号 TYPE	ΦA	ΦB	ΦC	ΦD	E	F	G	ΦH	ΦH 孔径*数量	ΦP 外凹槽直径*数量	ΦR	S	T	U	V	Z	KG
BL1F100	95	180	220	105	250	115	35	22*19	14*4	20*4	220	40	80	M12	50	M10	4
BL1F150	150	200	228	163	290	115	35	22*19	14*4	20*4	228	40	80	M12	50	M10	5
BL1F200	200	250	278	213	340	115	35	22*19	14*4	20*4	278	40	80	M12	50	M10	6.5
BL1F250	250	300	328	263	390	115	35	22*19	14*8	20*8	328	40	80	M12	50	M10	7.5
BL1F300	300	350	378	313	440	115	35	22*19	14*8	20*16	378	40	80	M12	50	M10	9
BL1F350	350	400	440	363	530	123	50	28*25	14*8	20*8	440	40	80	M12	50	M10	16
BL1F400	400	470	530	413	580	123	50	28*25	14*8	20*16	530	40	80	M12	50	M10	20.5

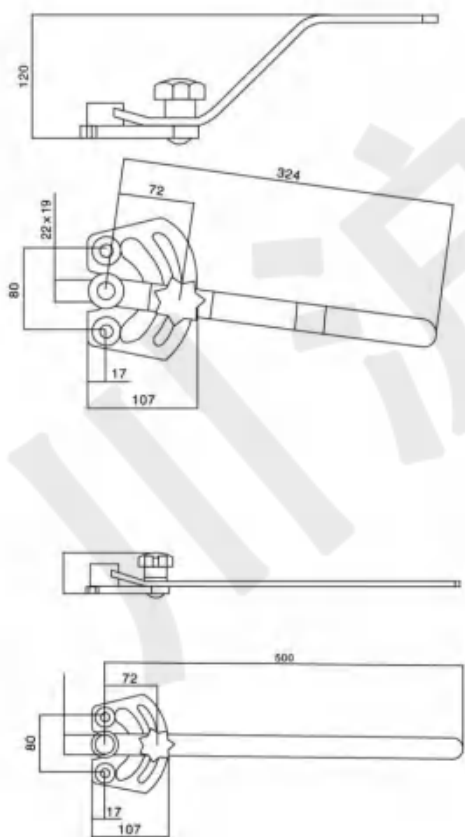
**● BL2F 双法兰粉体蝶阀**


型号 TYPE	ΦA	ΦB	ΦC	ΦD	E	F	G	ΦH	ΦH 孔径*数量	ΦP 外凹槽直径*数量	ΦR	S	T	U	V	Z	KG
BL2F100	95	180	220		250	77	35	22*19	14*4	220*4	220		80	M12	50	M10	4
BL2F150	150	200	228		290	77	35	22*19	14*4	20*4	228		80	M12	50	M10	5
BL2F200	200	250	278		340	77	35	22*19	14*4	20*4	278		80	M12	50	M10	6.5
BL2F250	250	300	328		390	77	35	22*19	14*8	20*8	328		80	M12	50	M10	7.5
BL2F300	300	350	378		440	77	35	22*19	14*8	20*16	378		80	M12	50	M10	9
BL2F350	350	400	440		530	85	50	28*25	14*8	20*8	440		80	M12			16
BL2F400	400	470	530		580	85	50	28*25	14*8	20*16	530		80	M12			20.5

根据蝶阀的使用要求及工况的不同，我们专门开发了专用的驱动套件，分为手柄驱动及气缸驱动两大类。

According to the butterfly valve and service demand of different working conditions, we developed a specialized special drive kit, divided into a handle driving and cylinder to drive the two categories.

蝶阀型号 Butterfly valve Model	手柄型号 Handle type Model	气缸型号 Cylinder Model
BLF100 BLF150 BLF200 BLF250 BLF300	MD4	CP 100
BLF350 BLF400	MD2	CP 125



驱动气缸套件所含配件  
The driving cylinder kit containing parts

- 驱动气缸 ———— CP 100  
The driving handle ———— CP 125
- 电磁阀 ———— EV35S  
Solenoid valve
- 电磁线圈 ———— EMC024DC ( 直流24V )  
Electromagnetic coil ———— EMC11050 ( 交流110V )  
————— EMC22050 ( 交流220V )
- 微型开关盒 ———— MIC22  
Micro-switch box

## 订货须知 ORDERING INFORMATION

代号 Code	材料 Material	适用温度(°C) Applicable Temperature
H	合金钢 304、316 Alloy Steel 304,31 6	-30—425
F	增强聚四氟乙烯 Reinforced Polyterafluoroethylene (PTFE)	-40—150
X	丁腈橡胶 Buna-N Rubber	-12~82
	乙丙橡胶 Ethylene-propylene Rubber	-35—110
	食品级乙丙胶 Food Ethylene-propylene Rubber	-35—110
	氟橡胶 Fluorous rubber	-12~135
J	全衬里丁腈橡胶 Full-lining Buna-N Rubber	-12—82
F4	全衬里聚四氟乙烯 Full-lining polyteafuoroethylene ( PTFE)	-40—160

根据不同控制和要求可选择下列附件：

切断型附件：单电控电磁阀、双电控制电磁阀、限位开关回讯器。

调节型附件：电-气定位器、电气转换器。

气源处理附件：空气过滤减压阀、气源处理三联件。

手动机构：XLHJ 系列

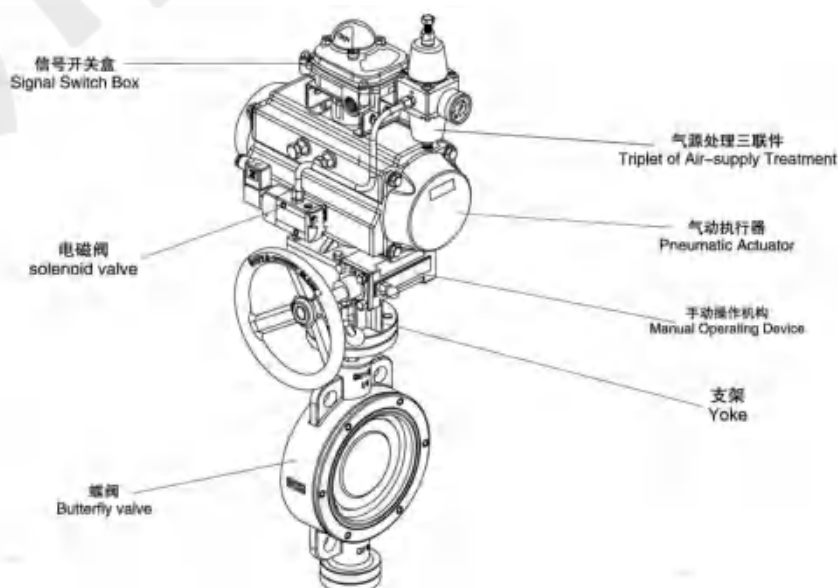
According to the different control and the request can choose the following accessories:

Shut-off Accessories: Single electrically-controlled magnetic valve. Double electrically-controlled Solenoid valve. signal saver of limit switch

Adjusting Accessories: EP/PP-positioner. electric-pneumatic converter.

Air-supply Treatment Accessories: air-filtering reducing valve. F.R.L. COMBINATION UNIT.

Manual Device: XLHJ Series





地址：上海市奉贤区金汇工业园金碧路 358 号  
电话：86-021-5186 3046  
传真：86-021-5186 3049  
邮箱：chvalve@126.com  
邮编：210404  
网址：<http://www.chuanhuvalve.com>

Add: Shanghai Fengxian District Jinhui Industrial Garden Jinbi Road No. 358  
Tel: 86-021-5186 3046  
Fax: 86-021-5186 3049  
Mail: chvalve@126.com  
Code: 210404  
Website: <http://www.chuanhuvalve.com>

